



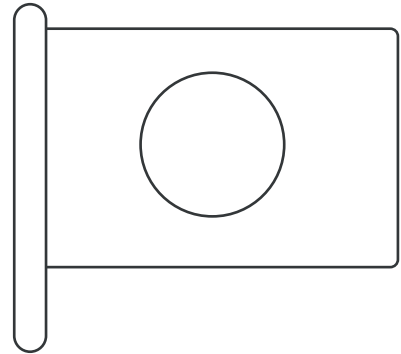
Japan Facts

12 Fun Facts About Japan

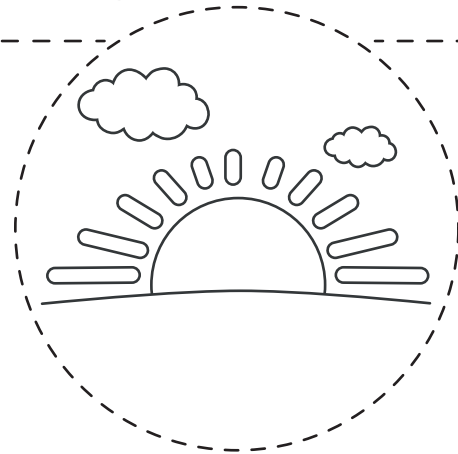
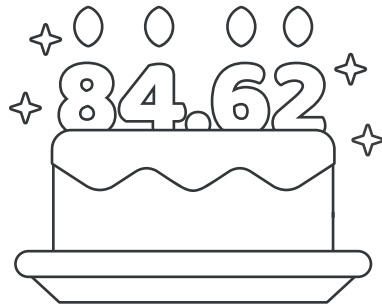
Japan is an island country in Northeast Asia surrounded by the Pacific Ocean, the Sea of Okhotsk, the Sea of Japan, and the East China sea.



Japan today is a fascinating country famous because of its rich history, food, and popular Japanese culture like anime.



Japan's population makes up 1.6% of the world's total population. There are 125.50 million Japanese people with a life expectancy of 84.62 years, 7 years higher than in the U.S.



Nihon is the Japanese word for "Japan", meaning "the Land of the Rising Sun."

Japan is the world's 3rd largest economy in the world.



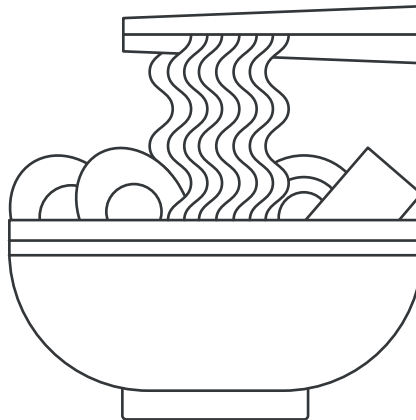
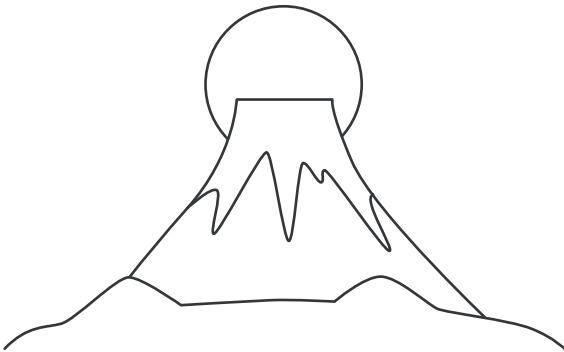
There are around 100,000 Shinto shrines and 80,000 Buddhist temples throughout Japan, where locals visit and pray.



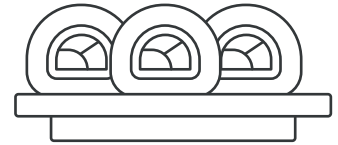
Japan Facts

12 Fun Facts About Japan

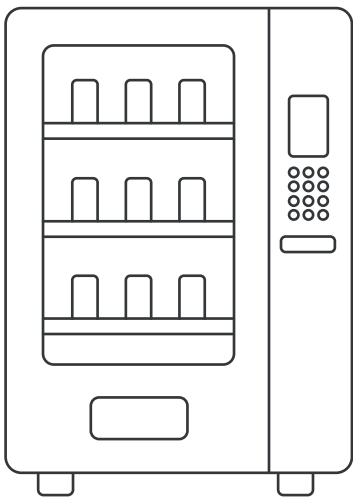
Mount Fuji is an active volcano that is 12,389 ft 3 in and is considered one of Japan's three sacred mountains.



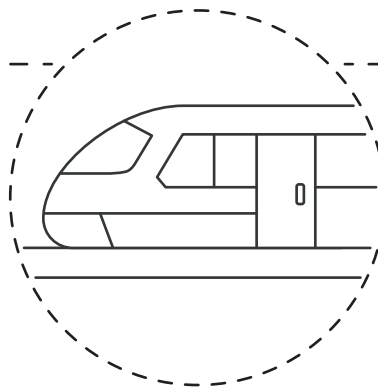
Japanese cuisine is considered one of the best in the world, and it's more than sushi and ramen.



Japan has more than five million vending machines; that's one vending machine for every 23 people.



The world's oldest company is in Japan, a construction company called Kongo Gumi, which has existed since 578 AD.



This island nation is home to bullet trains which are the fastest in the world. They hit speeds of 374 miles an hour.

The first constitution of Japan was promulgated on February 11, 1889, and shaped the modern history of the country.

