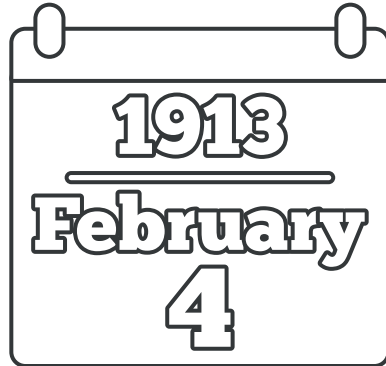




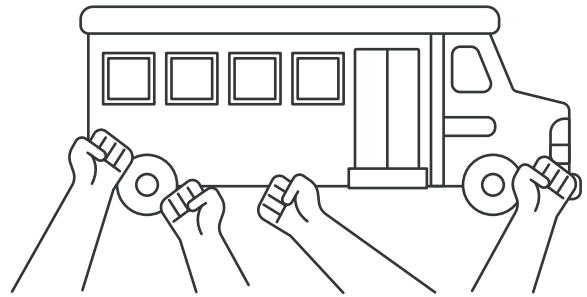
Rosa Parks Facts

8 Facts About Rosa Parks

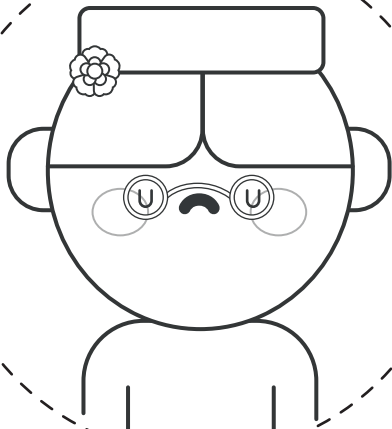
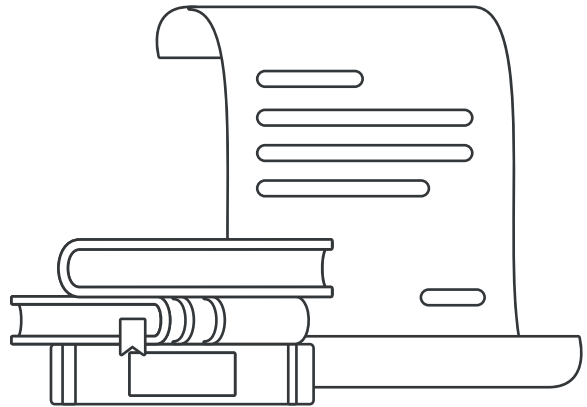
Rosa Parks was a Civil Rights Activist, who was born on February 4, 1913 in Tuskegee, Alabama, and died on October 24, 2005, in Detroit, Michigan.



Called "the mother of the Civil Rights Movement", Rosa is known for seeking racial equality and the Montgomery bus boycott.



After finishing up elementary school, Rosa wanted to get a high school education but this wasn't common for African-American girls at that time. It was hard but she worked part time jobs to finally earn her high school diploma.



Rosa once saw a black man get beaten by a white bus driver, which motivated her and her husband, Raymond Parks, to join the National Association for the Advancement of Colored People.



Rosa Parks Facts

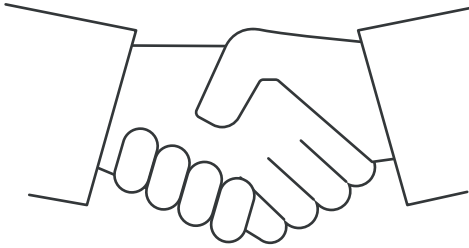
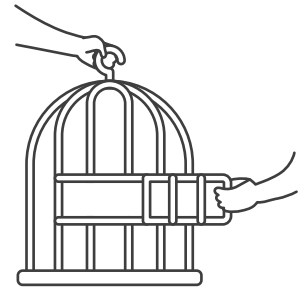
8 Facts About Rosa Parks

"Stations" were safe homes where people could hide as they traveled, and the people that helped the slaves care called "conductors".



After Harriet escaped through the Underground Railroad, in 1849, she joined as a conductor to help her friends and family escape.

She led 19 different escapes and helped around 300 slaves to escape.



She was so successful in helping slaves that slave owners offered a reward for her capture.

Harriet also helped to nurse injured soldiers and helped on a military campaign that led to the rescue of +750 slaves for the north during the Civil War.

